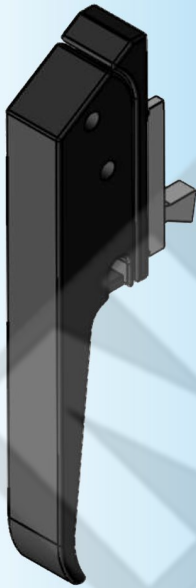


For Product Step File or 3D Model Send a Request Mail To info@nrack.com

Photo View

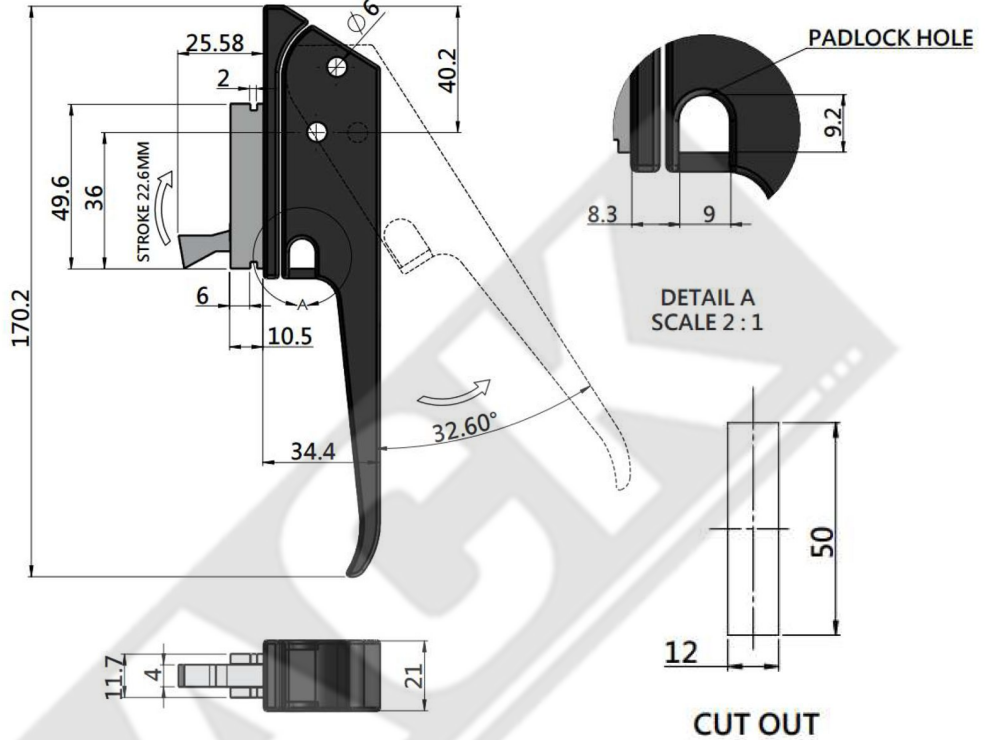


3D Rendered View

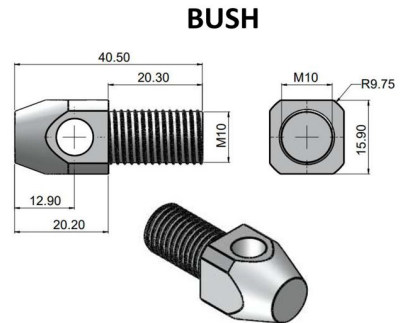
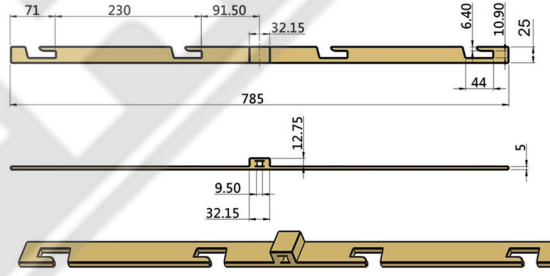


PL 043 - 1

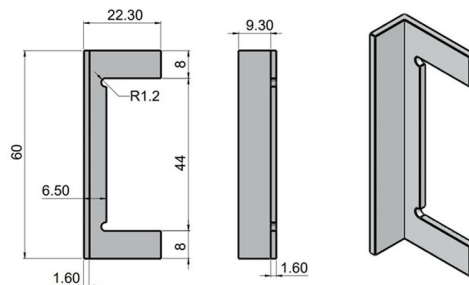
- Material: Zinc die-casting body, steel fixing parts and pin
- Structure: handle, locked by rod. Adjustable 22.6mm,
- Panel thickness: 1~2.5mm



ROD AND ACCESSORIES



LOCK HOLDER



ROD GUIDE

